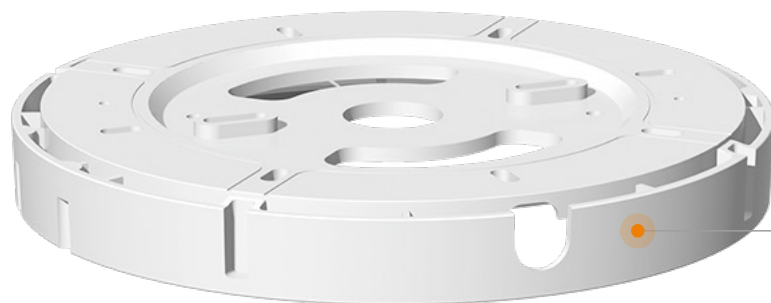


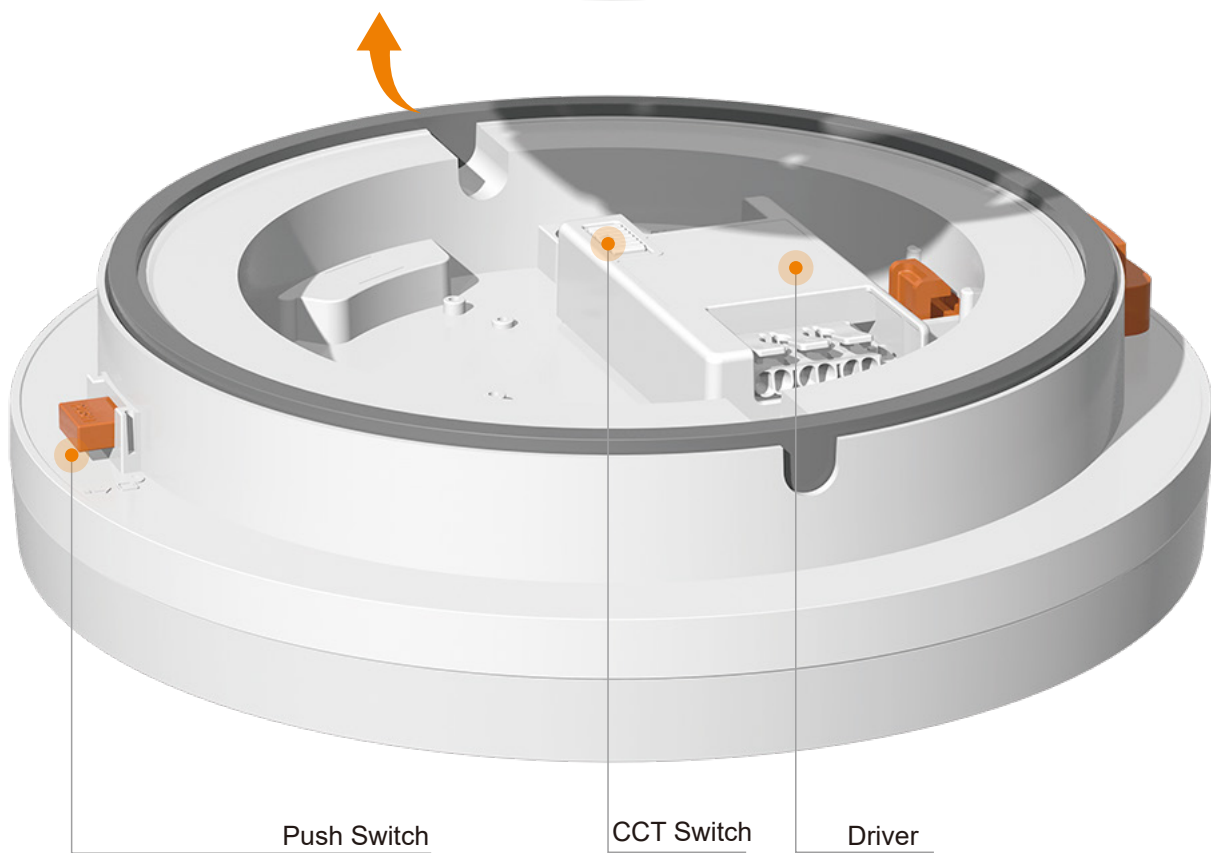
Ceiling, Wall Luminaires

DOR260/DOS260

DOR320/DOS260

120
LM/W

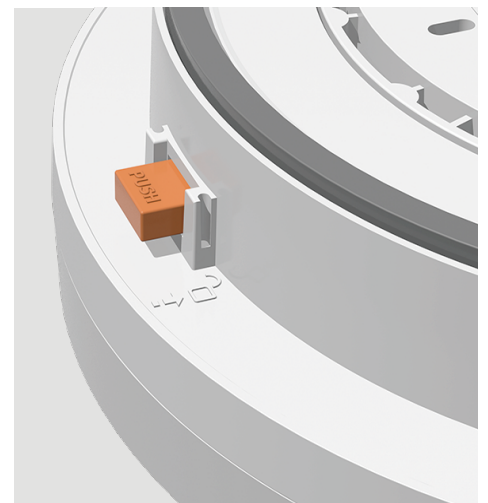
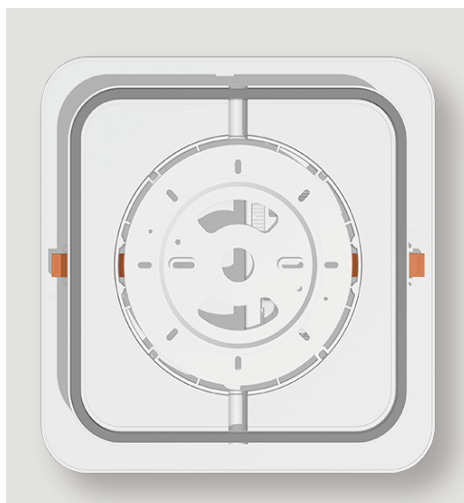
Mounting Plate



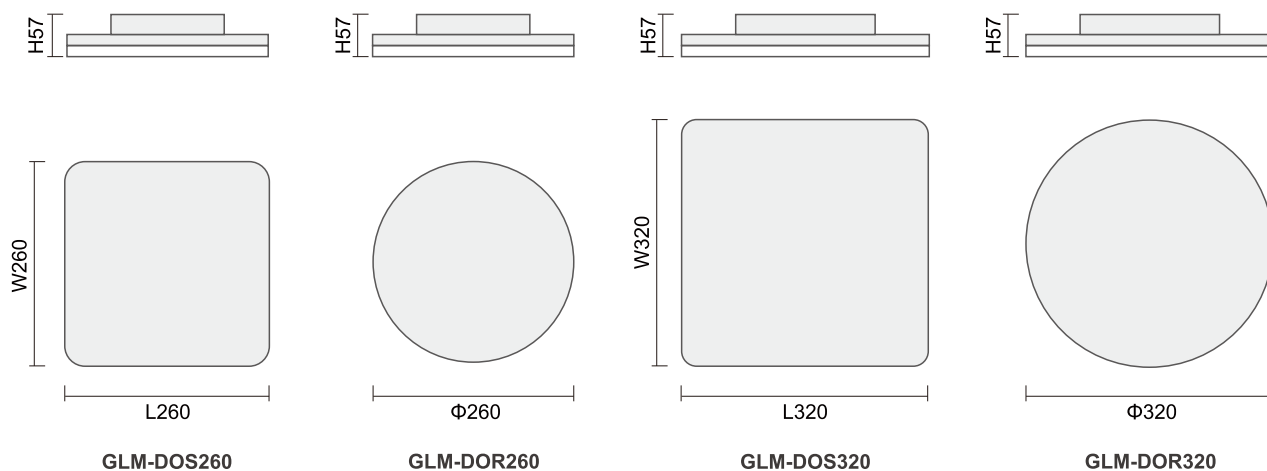
Push Switch

CCT Switch

Driver



Dimension



GLM-DOS260

GLM-DOR260

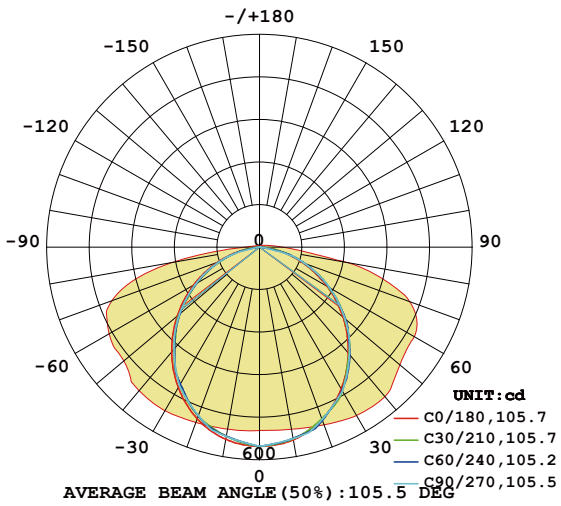
GLM-DOS320

GLM-DOR320

Photoelectric

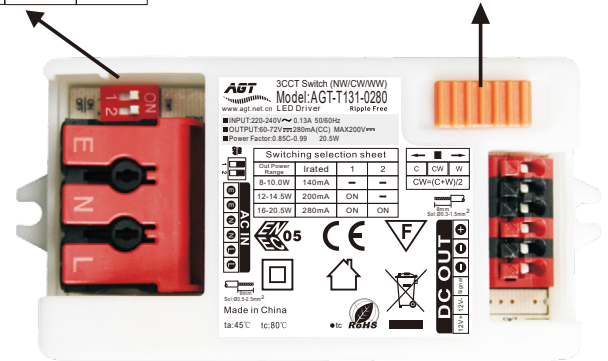
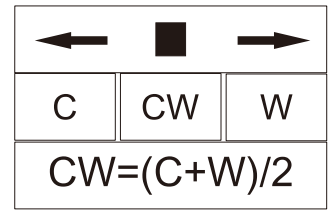
| Model | GLM-DOR260 | GLM-DOR320 | GLM-DOS260 | GLM-DOS320 |
|-----------------------------|--------------------------|--------------------------|--------------------------|--------------------------|
| Size | Φ260*H57mm | Φ320*H57mm | L260*W260*H57mm | L320*W320*H57mm |
| Power | 8W/10W/15W | 10W/15W/20W | 8W/10W/15W | 10W/15W/20W |
| CCT | 3000K/4000K/6000K | 3000K/4000K/6000K | 3000K/4000K/6000K | 3000K/4000K/6000K |
| CRI | >90 | >90 | >90 | >90 |
| Lumens Output | 960/1200/1800LM | 1200/1800/2400LM | 960/1200/1800LM | 1200/1800/2400LM |
| LED | SMD2835 | SMD2835 | SMD2835 | SMD2835 |
| Number of LED | 576 | 864 | 576 | 864 |
| Dimming | CCT+Power/Switchable | CCT+Power/Switchable | CCT+Power/Switchable | CCT+Power/Switchable |
| Fire-proof Level | V0 | V0 | V0 | V0 |
| AC Input | 200V-240V AC | 200V-240V AC | 200V-240V AC | 200V-240V AC |
| Working Tp | -20°C ~ +45°C | -20°C ~ +45°C | -20°C ~ +45°C | -20°C ~ +45°C |
| IP Level | IP54 | IP54 | IP54 | IP54 |
| Certification | ENEC,CE,ROHS | ENEC,CE,ROHS | ENEC,CE,ROHS | ENEC,CE,ROHS |
| Material | PC | PC | PC | PC |
| SDCM | <3 | <3 | <3 | <3 |
| Beam Angle | 150° ↓ | 150° ↓ | 150° ↓ | 150° ↓ |
| Lifespan | 50,000HS | 50,000HS | 50,000HS | 50,000HS |
| Installation Options | Wall, ceiling or pendant | Wall, ceiling or pendant | Wall, ceiling or pendant | Wall, ceiling or pendant |
| Slow-Starting Time | 10S | 10S | 10S | 10S |
| Warranty | 5Years | 5Years | 5Years | 5Years |

Luminous Intensity Distribution Diagram



Power Supply

| Switching selection sheet | | | |
|---------------------------|--------|----|----|
| Out Power Range | Irated | 1 | 2 |
| 8-10.0W | 140mA | - | - |
| 12-14.5W | 200mA | ON | - |
| 16-20.5W | 280mA | ON | ON |



Application

