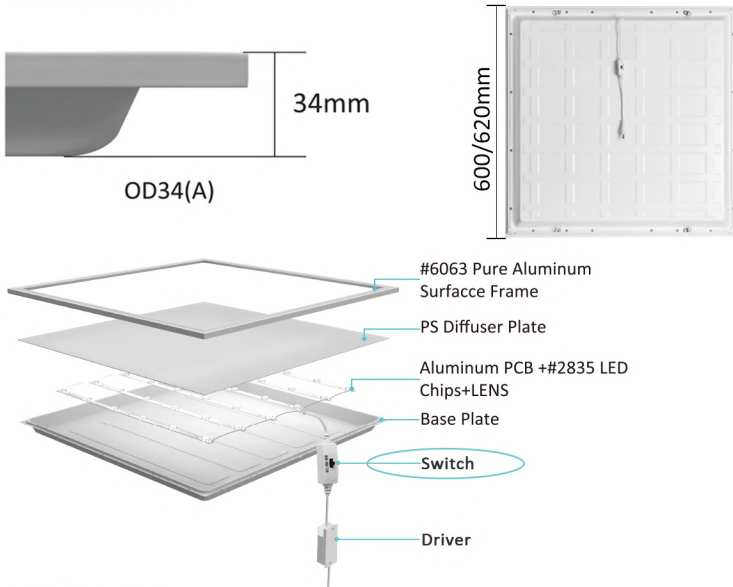


- ◆ EPREL2.0, Energy Efficiency Class= "C"
- ◆ 3000K/4000K/6000K Switchable
- ◆ Driver: Philips Flicker Free
- ◆ Long Lifespan: Never Turn Yellow, 5-7 Years Warranty
- ◆ High Strength Aluminum Alloy Frame, more Stronger
- ◆ High Luminous Efficiency-up To 150lm/w And Ugr<19

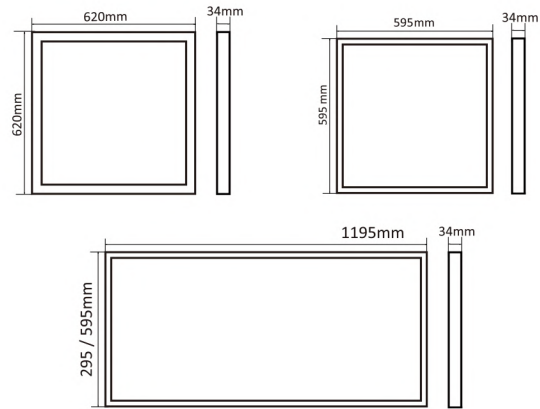
Application

- Hotel
- Commercial Purpose
- Meeting Room
- School
- Other lighting location
- Factory & Office
- Hospital
- Residential & Institution

Instruction



Dimensions



Application



Photoelectric

Model Number:	Power	Dimension	Color Temperature	Luminous Efficiency	Lumens Output	Ra	LED	Beam Angle
GLM-BPL6060-CCT-27W	27W	595*595*34mm	3000K/4000K/6000K	150LM/W	4000LM	80/90	2835	90°/120°
GLM-BPL6262-CCT-27W	27W	620*620*34mm	3000K/4000K/6000K	150LM/W	4000LM	80/90	2835	90°/120°
GLM-BPL12030-CCT-27W	27W	1195*295*34mm	3000K/4000K/6000K	140LM/W	3800LM	80/90	2835	90°/120°
GLM-BPL12060-CCT-40W	40W	1195*595*34mm	3000K/4000K/6000K	150LM/W	6000LM	80/90	2835	90°/120°

*Specifications using 5700K and subject to change. All parameters +/- 10%.
*The total lumen for UGR products will be lower 8% than normal products.
*Available 3W on a per project basis0.

Gleamia Back-Lit Panel CCT Switchable 150LM/W

(3000K/4000K/6000K Change)

Electrical Driver

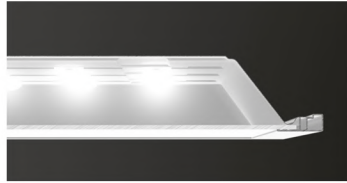
Input	AC200-240V
Frequency	50Hz
Output Voltage	DC30-42V
Relevant	EN55015 EN550221 IEC61347-1
Power Factor	>0.9
THD	<20%
Power Efficiency	>90%
Power Brand	Philips
Protection	Surge Short Circuit Over Voltage Over Current Over Temp.
MTBF	Minimum MTBF 50,000 hours at 100% load & 40°C

Product Description

SanAn Chips and Lens

sanan chips use pure gold wire and pure copper bracket, with more stable heat dissipation. The uniform light distribution makes the LED with larger heat dissipation area, and lifespan is up to 7 years.

The lens is made form acrylic material, which makes the light more uniform and soft.



Back board

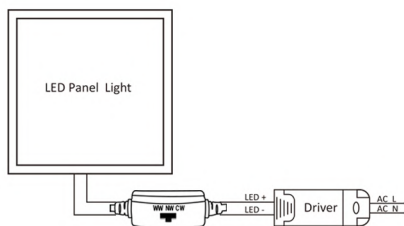
The back board is made of steel, which will absorb a large portion of heat created by the leds, film laminated surface helps it to be insulated from current, safe for use. Lay in and Recessed way for your option.

Isolated Driver

Philips Flicker Free, high efficiency, PF>0.9, THD<20%, 5 years warranty.



Electrical Connection Diagram



PHILIPS

Packing List

Item No.	Outer Carton (L*W*H)	Q'ty/CTNo	G.W/CTN	QTY / 40GP
GLM-BPL6060A-27W	660*260*670mm	6PCS	12.7kg	3500PCS
GLM-BPL6262A-27W	680*260*690mm	6PCS	13.6kg	3500PCS
GLM-BPL12030A-27W	1260*260*370mm	6PCS	13.1kg	3400PCS
GLM-BPL12060A-40W	1260*260*670mm	6PCS	26.4kg	1800PCS

Environment

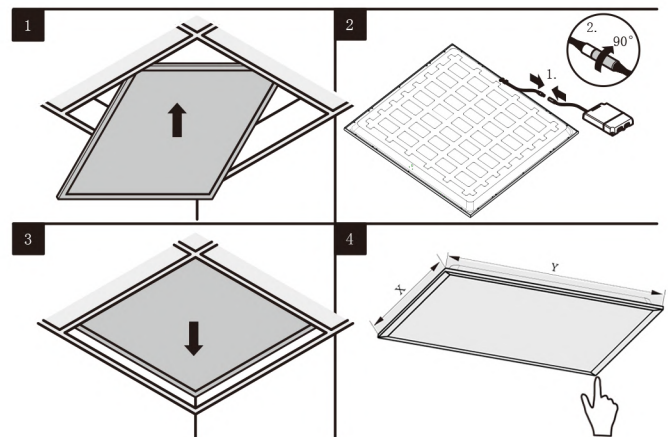
Operating Temperature	-20°C ~ 50 °C
Storage Temperature	-20°C ~ 60 °C
Operating Humidity	90% Rh or below (@-20°C~40°C)
Application Area	Indoors
Lifespan	50,000 Hrs



Light source

LED Type	2835
Color Accuracy(CRI)	80
Color Temperature	3000K/4000K/6000K

Installation



Package

