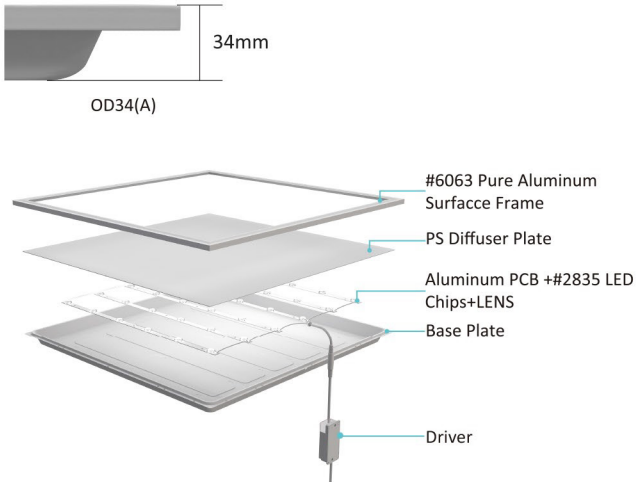




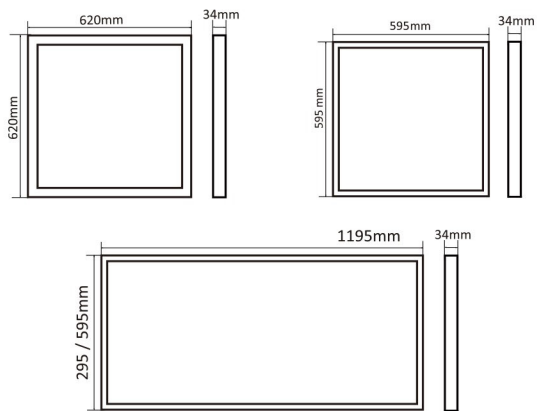
Application

- Hotel
- Commercial Purpose
- Meeting Room
- School
- Other lighting location
- Factory & Office
- Hospital
- Residential & Institution

Instruction



Dimensions



Application



Photoelectric

| Model Number: | Power | Dimension | Input | Luminous Efficiency | Lumens Output | Ra | LED | Beam Angle |
|-------------------|-------|---------------|----------|---------------------|---------------|----|------|------------|
| GLM-BPL6060A-27W | 27W | 595*595*34mm | 200-240V | 150LM/W | 4000LM | 80 | 2835 | 90°/120° |
| GLM-BPL6262A-27W | 27W | 620*620*34mm | 200-240V | 150LM/W | 4000LM | 80 | 2835 | 90°/120° |
| GLM-BPL12030A-27W | 27W | 1195*295*34mm | 200-240V | 140LM/W | 3800LM | 80 | 2835 | 90°/120° |
| GLM-BPL12060A-40W | 40W | 1195*595*34mm | 200-240V | 150LM/W | 6000LM | 80 | 2835 | 90°/120° |

*Specifications using 5700K and subject to change. All parameters +/- 10%.
*The total lumen for UGR products will be lower 8% than normal products.
*Available 3W on a per project basis.

www.gleamia.net

Gleamia Back-Lit Panel 150LM/W

Electrical Driver

| | |
|------------------|--|
| Input | AC200-240V |
| Frequency | 50Hz |
| Output Voltage | DC30-42V |
| Relevant | EN55015 EN550221 IEC61347-1 |
| Power Factor | >0.9 |
| THD | <20% |
| Power Efficiency | >88% |
| Power Brand | Philips |
| Protection | Surge Short Circuit Over Voltage Over Current Over Temp. |
| MTBF | Minimum MTBF 50,000 hours at 100% load & 40°C |

Environment

| | |
|-----------------------|------------------------------|
| Operating Temperature | -20°C ~ 50 °C |
| Storage Temperature | -20°C ~ 60 °C |
| Operating Humidity | 90% Rh or below(@-20°C~40°C) |
| Application Area | Indoors |
| Lifespan | 50,000 Hrs |



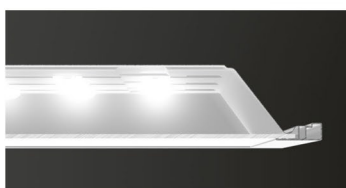
Light source

| | |
|---------------------|-------------------------|
| LED Type | 2835 |
| Color Accuracy(CRI) | 80 |
| Color Temperature | 3000K/4000K/5000K/5700K |

Product Description

SanAn Chips and Lens

sanan chips use pure gold wire and pure copper bracket, with more stable heat dissipation. The uniform light distribution makes the LED with larger heat dissipation area, and lifespan is up to 7 years. The lens is made form acrylic material, which makes the light more uniform and soft.



Back board

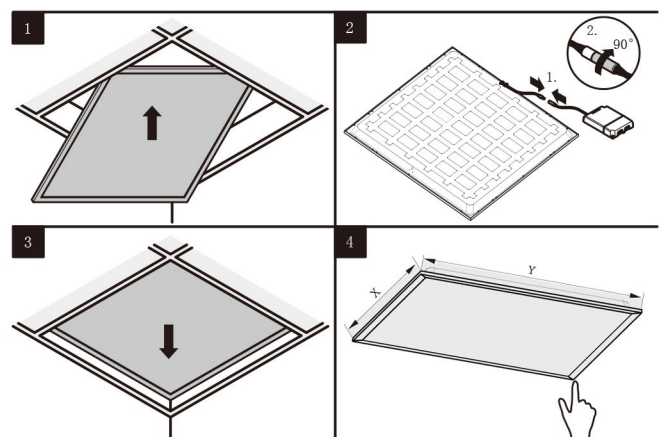
The back board is made of steel, which will absorb a large portion of heat created by the leds, film laminated surface helps it to be insulated from current, safe for use. Lay in and Recessed way for your option.

Isolated Driver

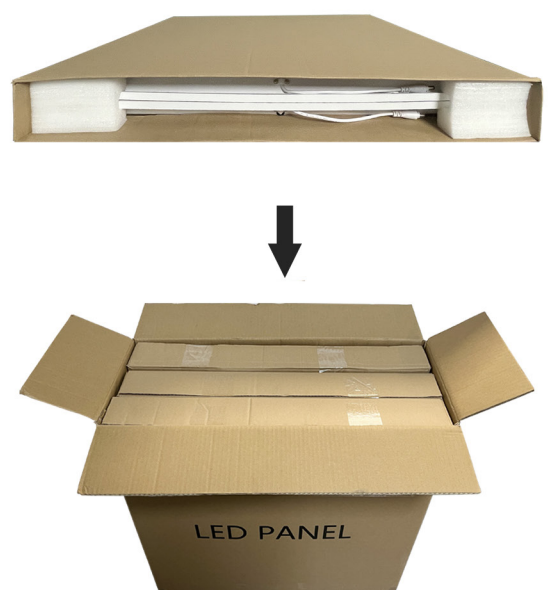
Philips Flicker Free, high efficiency, PF>0.9, THD<20%, 5 years warranty.



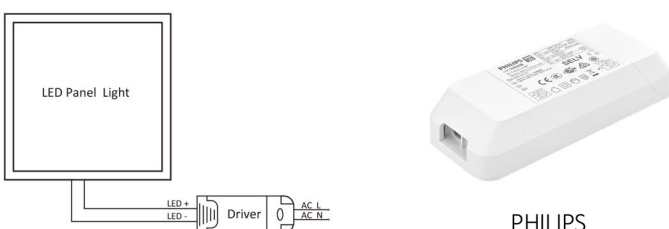
Installation



Package



Electrical Connection Diagram



Packing List

| Item No | Outer Carton (L*W*H) | Q'ty/CTN | G.W/CTN | QTY /40GP |
|-------------------|----------------------|----------|---------|-----------|
| GLM-BPL6060A-27W | 660*260*670mm | 6PCS | 12.7kg | 3500PCS |
| GLM-BPL6262A-27W | 680*260*690mm | 6PCS | 13.6kg | 3500PCS |
| GLM-BPL12030A-27W | 1260*260*370mm | 6PCS | 13.1kg | 3400PCS |
| GLM-BPL12060A-40W | 1260*260*670mm | 6PCS | 26.4kg | 1800PCS |