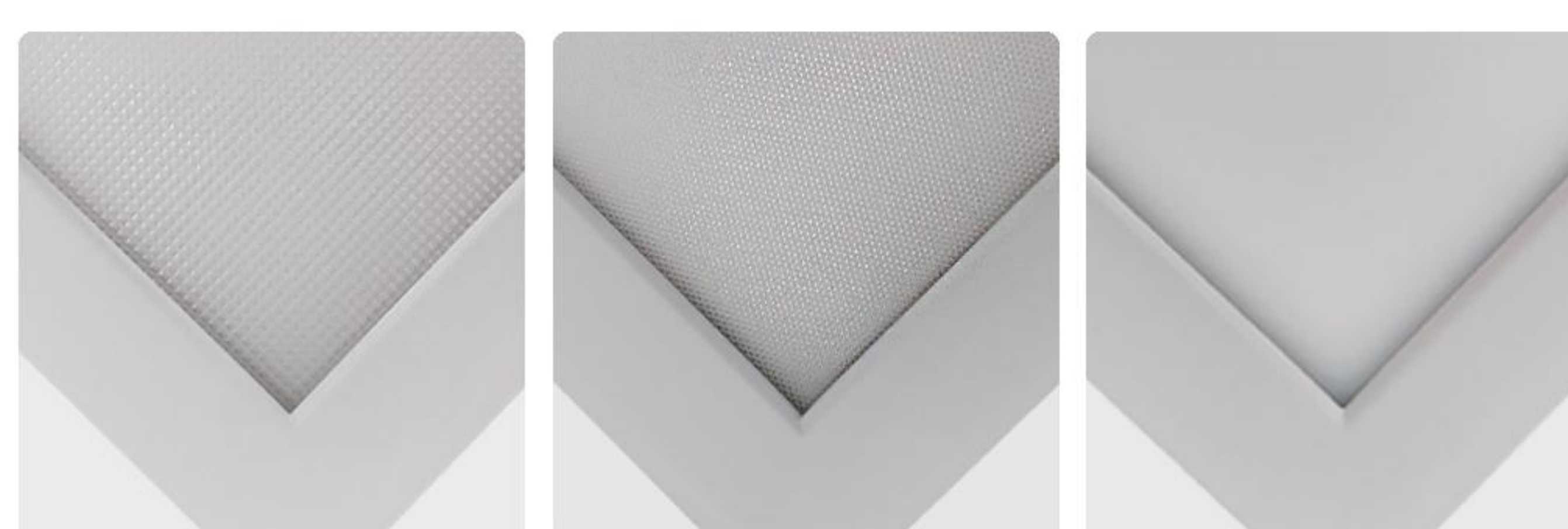


Description

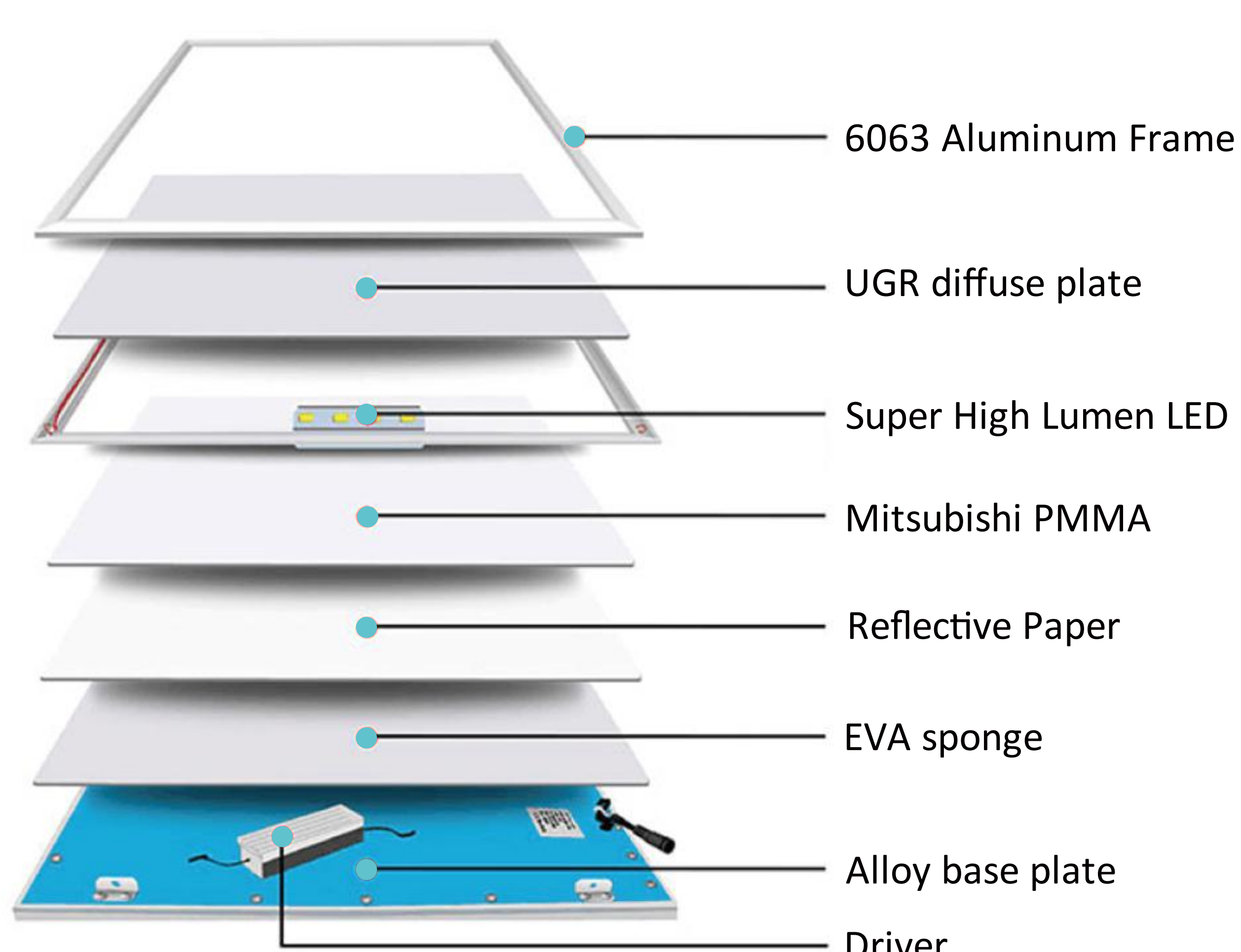
- ◆ High Luminous Efficiency-up To 120lm/w And Ugr<19.
- ◆ Unique heat dissipation design for higher illumination.
- ◆ Better technological design, no yellowing, more uniform illumination.
- ◆ High-strength and extra-thick aluminum frame for stronger.
- ◆ Anti-glare, energy saving, long lifetime, good color rendering, easier installation.
- ◆ CRI> 80, SDCM < 5.

Application

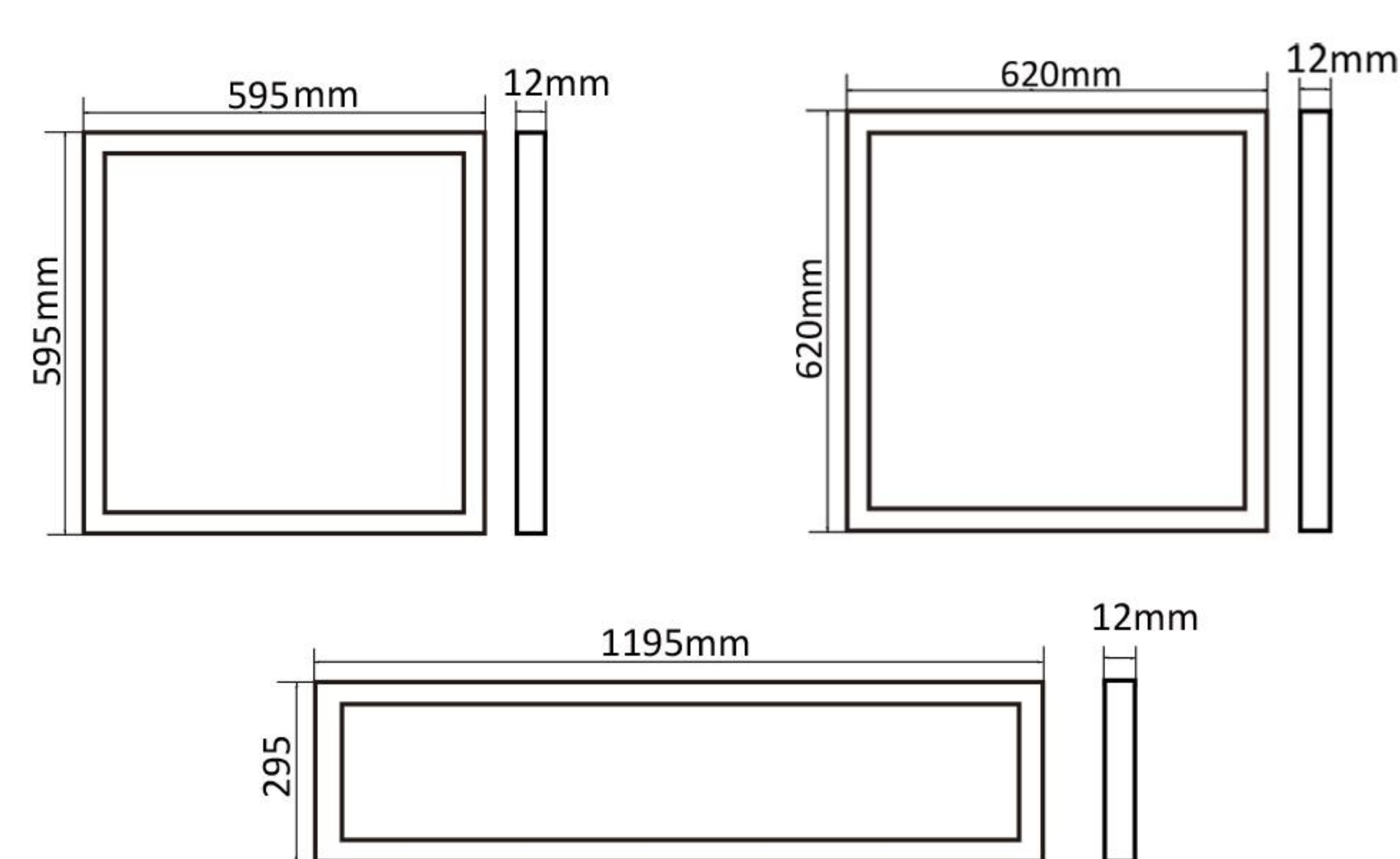
- Hotel
- Commercial Purpose
- Meeting Room
- School
- Other lighting location
- Factory & Office
- Hospital
- Residential & Institution



Instruction



Dimensions



Photoelectric

Model Number:	Power	Dimension	Input	Luminous Efficiency	Lumens Output	Ra	LED	Beam Angle
GLM-SPL6060-36W	36W	595*595*12mm	200-240V	120 LM/W	4300LM	80	2835	90°/120°
GLM-SPL6262-36W	36W	620*620*12mm	200-240V	120 LM/W	4300LM	80	2835	90°/120°
GLM-SPL12030-36W	36W	1195*295*12mm	200-240V	110 LM/W	4000LM	80	2835	90°/120°

*Specifications using 5700K and subject to change. All parameters +/-10%.

*Available 3W on a per project basis.

Economical Edge-Lit Panel 120LM/W

Electrical Driver

Input	AC200-240V
Frequency	50/60Hz
Output Voltage	DC30-42V
Relevant	EN55015 EN550221 IEC61347-1
Power Factor	>0.9
THD	<20%
Power Efficiency	>85%
Power Brand	PHILIPS Flicker Free
Protection	Surge Short Circuit Over Voltage Over Current Over Temp.
MTBF	Minimum MTBF 50,000 hours at 100% load & 40°C

Environment

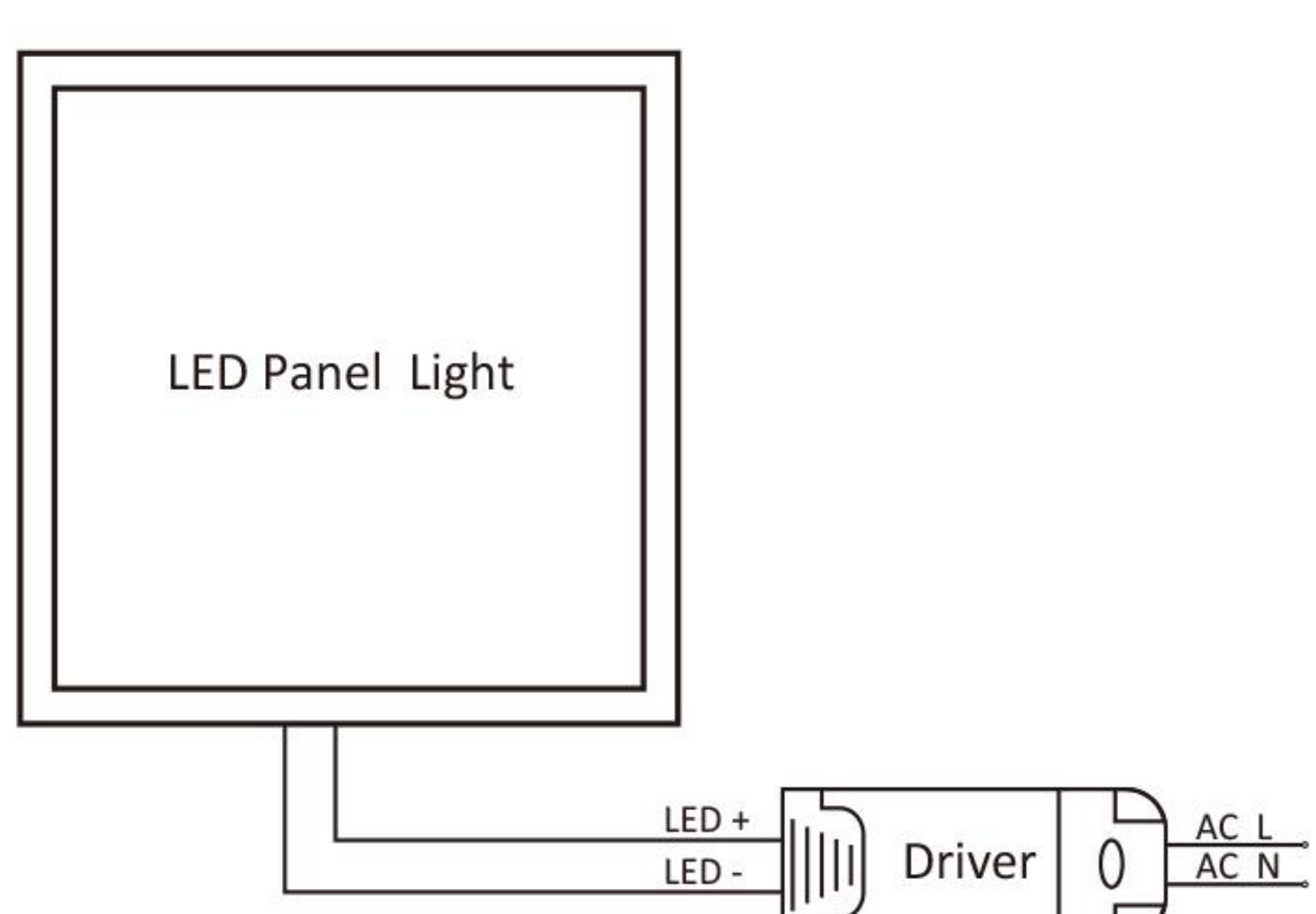
Operating Temperature	-20°C ~ 50 °C
Storage Temperature	-20°C ~ 60 °C
Operating Humidity	90% Rh or below(@-20°C~40°C)
Application Area	Indoors
Lifespan	50,000 Hrs



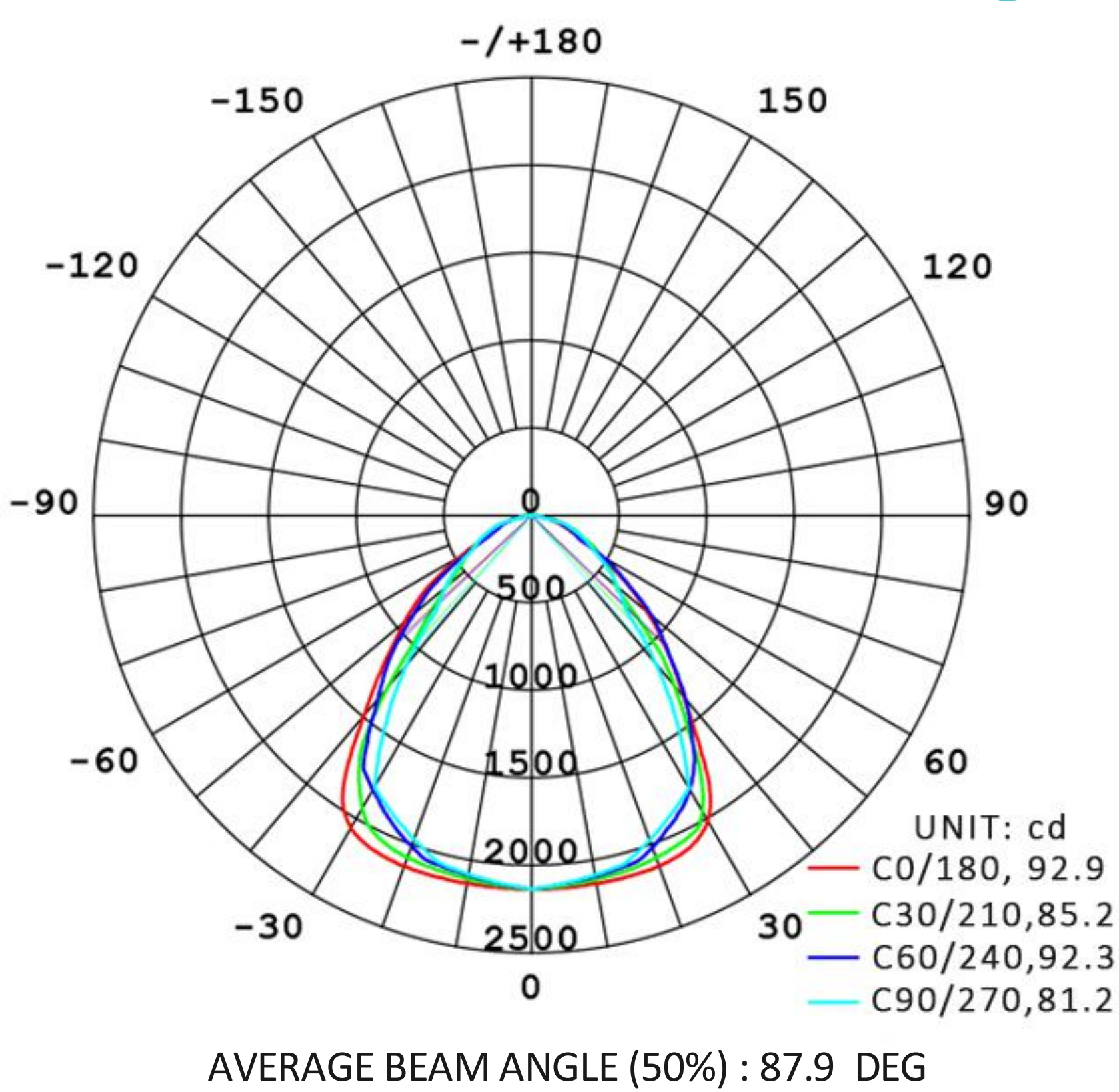
Light source

LED Type	2835
Color Accuracy(CRI)	80
Color Temperature	3000K/4000K/5000K/5700K

Electrical Connection Diagram

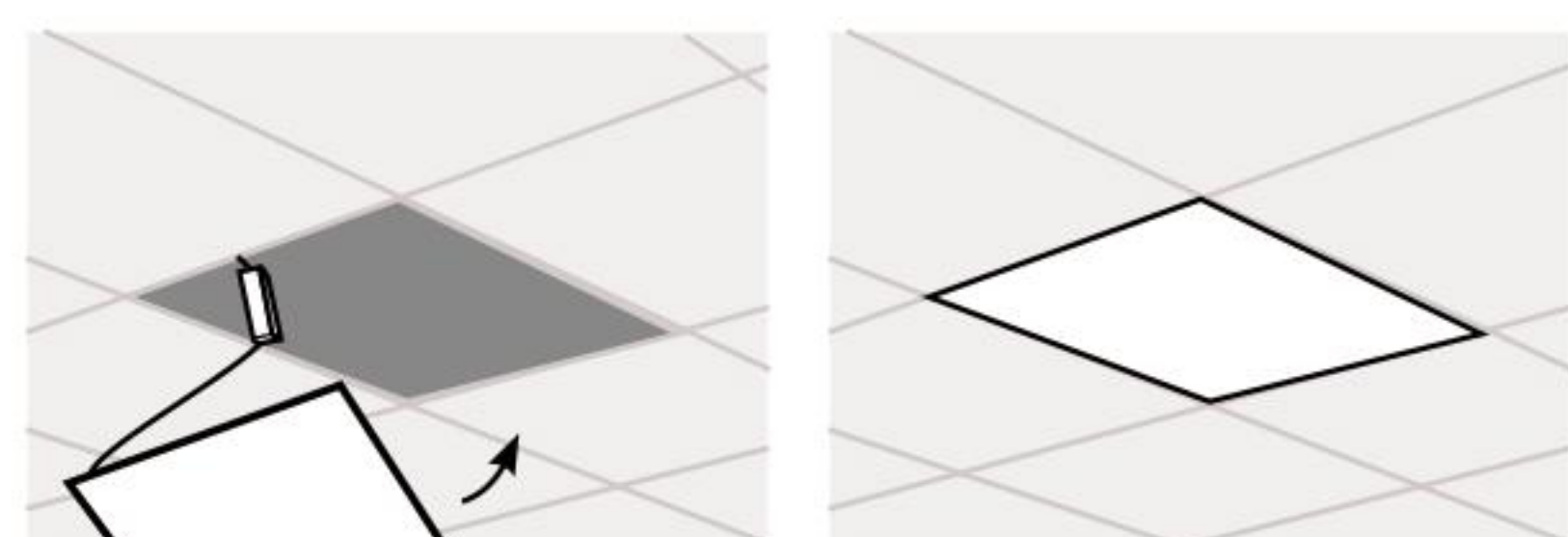


Luminous Distribution Diagram



Installation

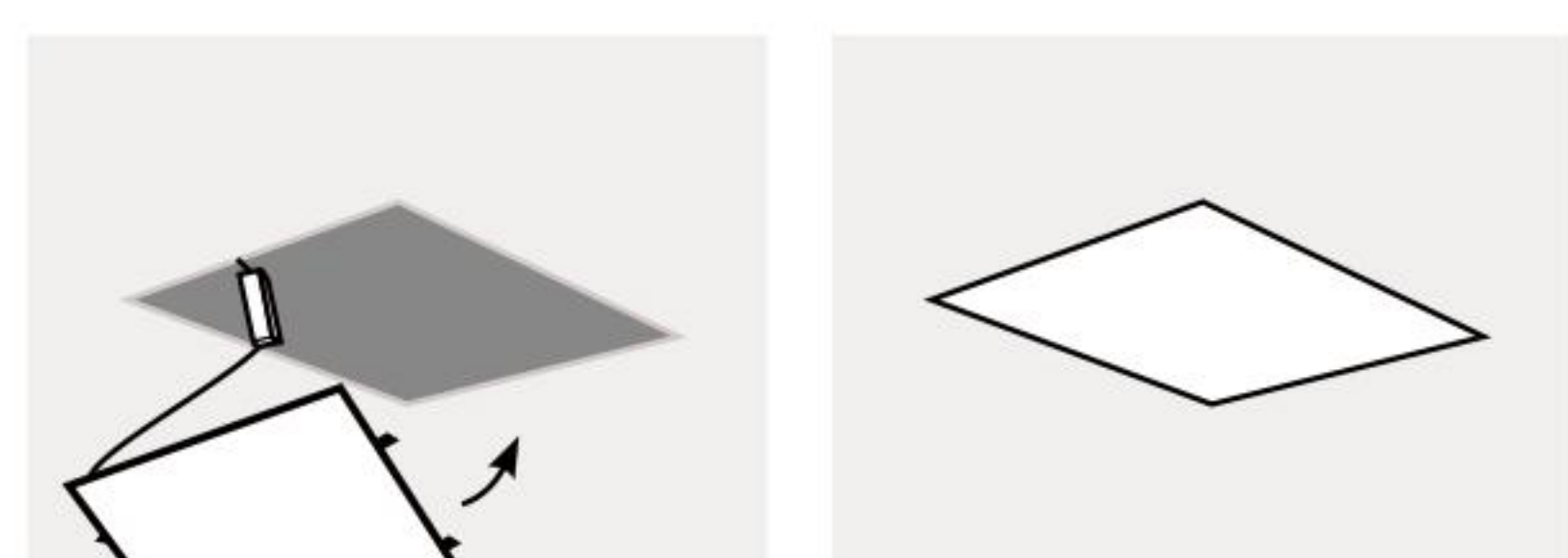
Embedded installation



1. Remove the ceiling and Connect the power;
2. Inclined panel lamp inserts hole position and aligns.

Spring mounting

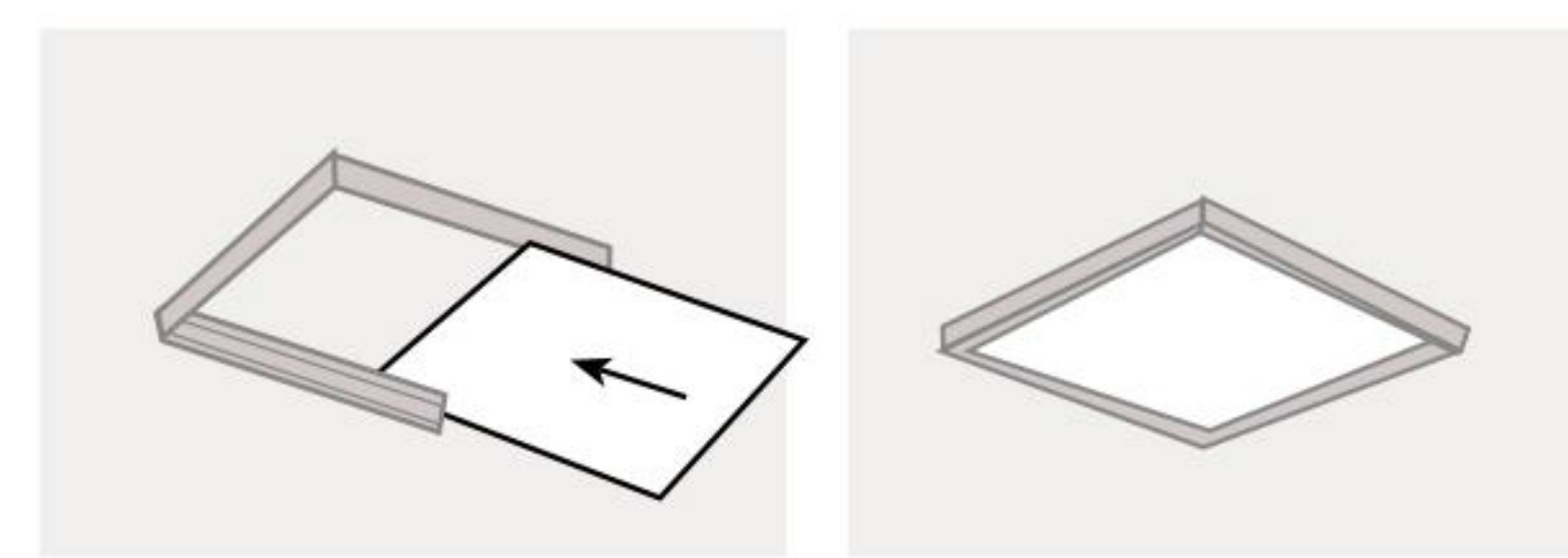
Cutout(mm): L595*W595
requires panel recessed kit.



1. Remove the ceiling and Connect the power;
2. Lever back spring-clips on one side and place panel up against edge;
3. Push other side up, holding clips back and snap into place.

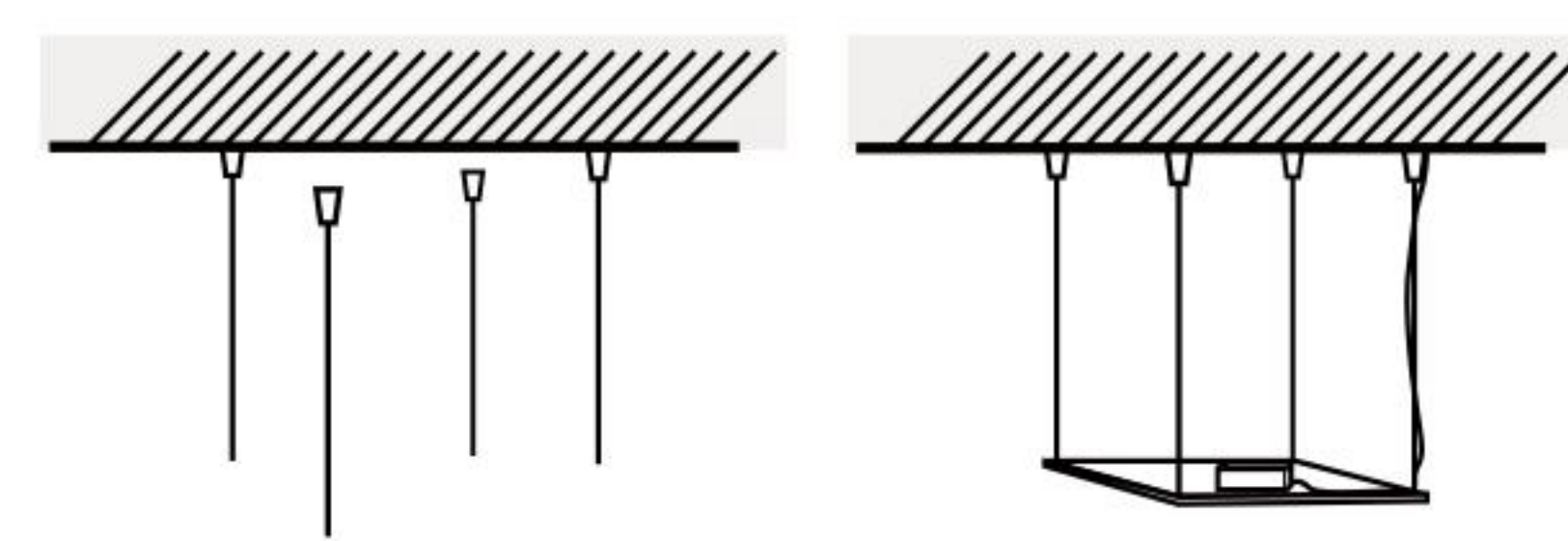
Ceiling surface mounted

requires panel Surface mounted kit.



Suspended type

requires panel suspension kit.



1. Drilling holes in the ceiling and locking the suspension rope ;
2. Attach other end to panel and Connect the power ;
3. Using a Spirit Level, adjust cable length to suit desired height, cut excess cable.

Packing List

Item No	Outer Carton (L*W*H)	Q'ty/CTN	G.W/CTN	QTY / 20GP	Volume/Carton(m 3)
GLM-SPL6060-36W	700*235*710mm	5PCS	16.5kg	1200PCS	0.1168
GLM-SPL6262-36W	700*235*710mm	5PCS	17.9kg	1200PCS	0.1168
GLM-SPL12030-36W	1300*400*235mm	5PCS	16.2kg	1200PCS	0.1222

