



## Description

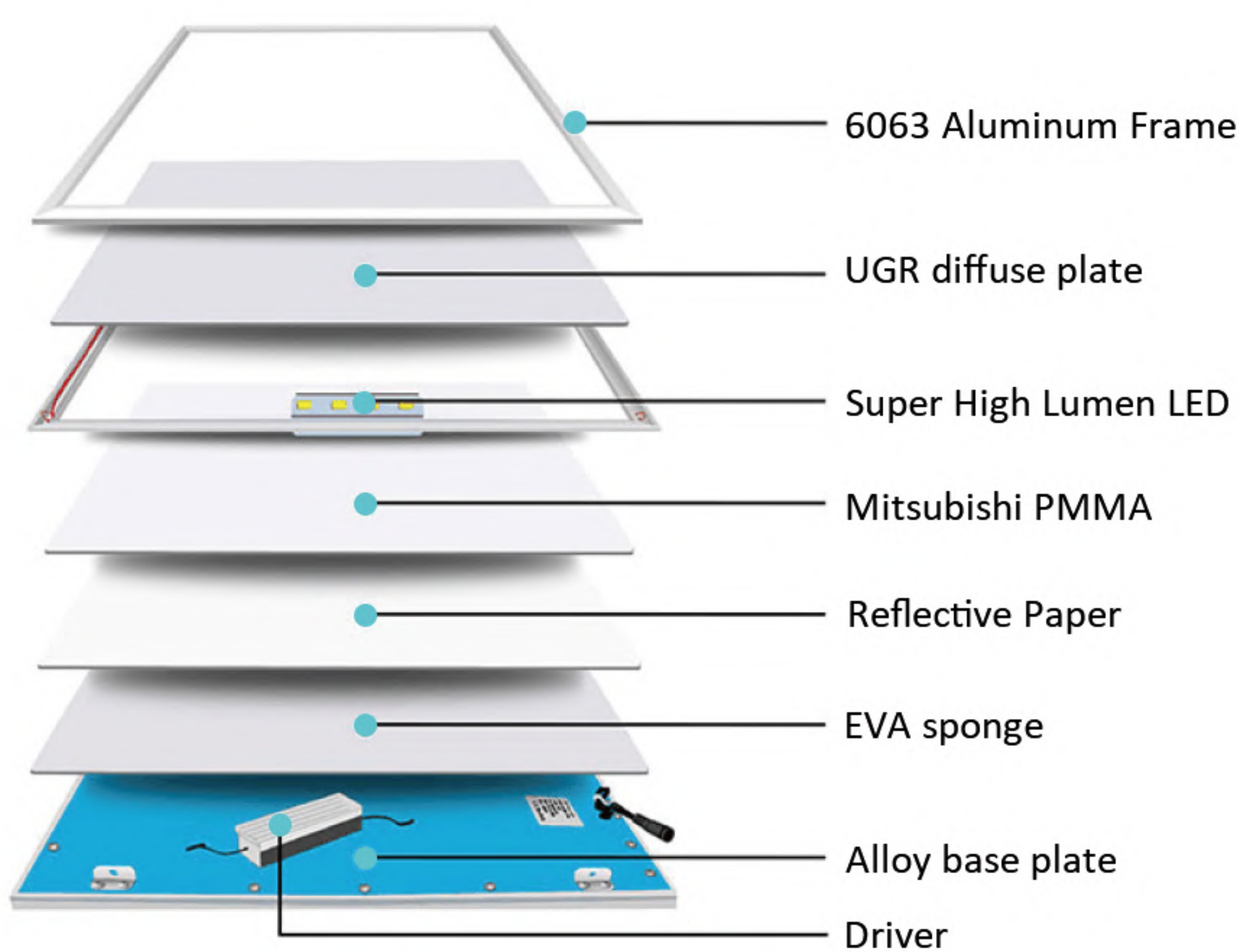
- ◆ High Luminous Efficiency-up To 140lm/w And Ugr<19.
- ◆ Unique heat dissipation design for higher illumination.
- ◆ Better technological design, no yellowing, more uniform illumination.
- ◆ High-strength and extra-thick aluminum frame for stronger.
- ◆ Anti-glare, energy saving, long lifetime, good color rendering, easier installation.
- ◆ CRI> 80, SDCM < 5.

## Application

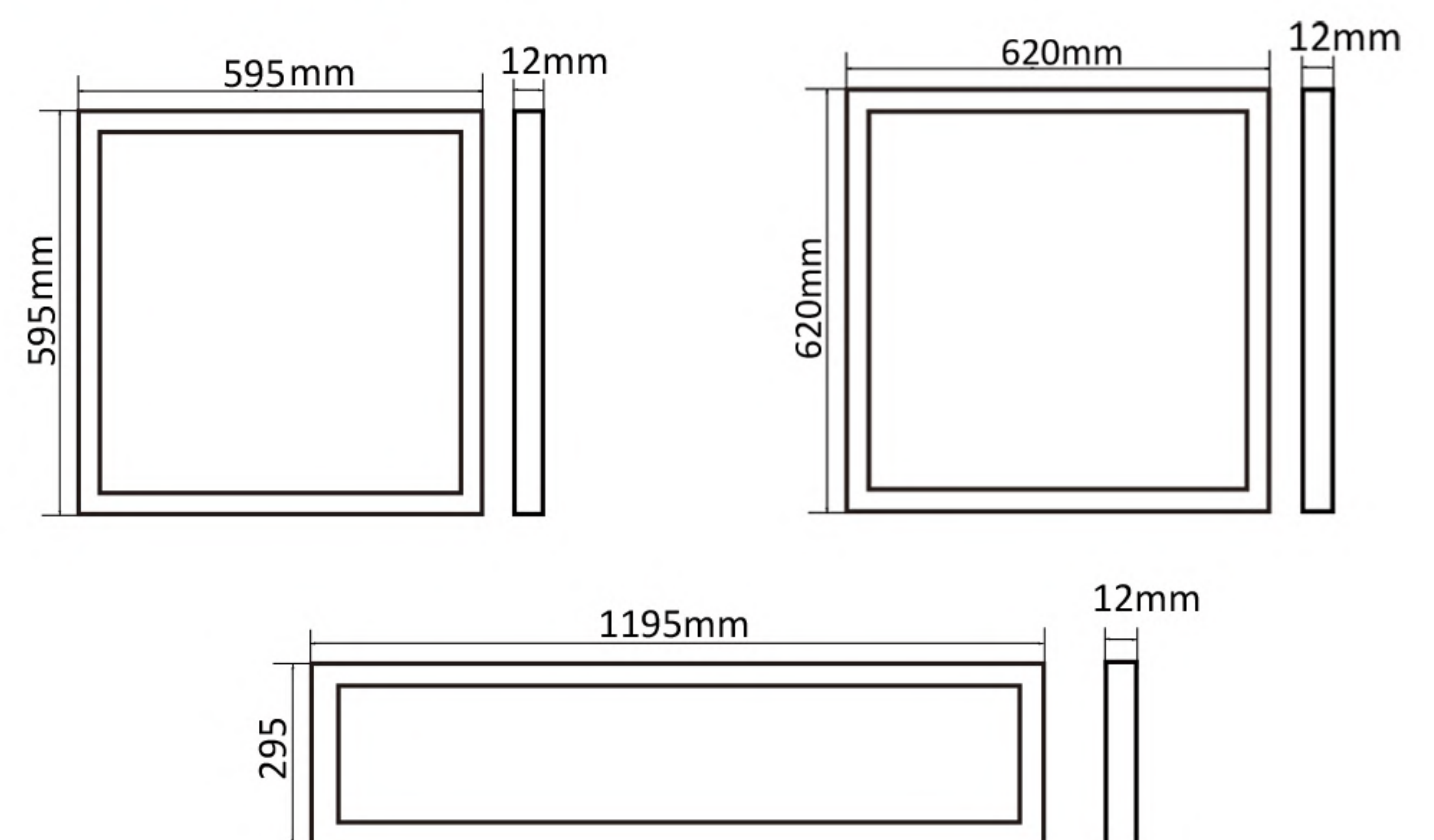
- Hotel
- Commercial Purpose
- Meeting Room
- School
- Other lighting location
- Factory & Office
- Hospital
- Residential & Institution



## Instruction



## Dimensions



## Photoelectric

Model Number:	Power	Dimension	Input	Luminous Efficiency	Lumens Output	Ra	LED	Beam Angle
GLM-SPL6060-27W	27W	595*595*12mm	200-240V	140 LM/W	3800LM	80	2835	90°/120°
GLM-SPL6262-27W	27W	620*620*12mm	200-240V	140 LM/W	3800LM	80	2835	90°/120°
GLM-SPL12030-27W	27W	1195*295*12mm	200-240V	130 LM/W	3500LM	80	2835	90°/120°
GLM-SPL6060-32W	32W	595*595*12mm	200-240V	140 LM/W	4400LM	80	2835	90°/120°
GLM-SPL6262-32W	32W	620*620*12mm	200-240V	140 LM/W	4400LM	80	2835	90°/120°
GLM-SPL12030-32W	32W	1195*295*12mm	200-240V	130 LM/W	4100LM	80	2835	90°/120°

\*Specifications using 5700K and subject to change. All parameters +/-10%.

\*Available 3W on a per project basis.



# High Lumen Panel 140LM/W

## Electrical Driver

Input	AC200-240V
Frequency	50/60Hz
Output Voltage	DC30-42V
Relevant	EN55015   EN550221   IEC61347-1
Power Factor	>0.9
THD	<20%
Power Efficiency	>85%
Power Brand	PHILIPS Flicker Free
Protection	Surge   Short Circuit   Over Voltage   Over Current   Over Temp.
MTBF	Minimum MTBF 50,000 hours at 100% load & 40°C

## Environment

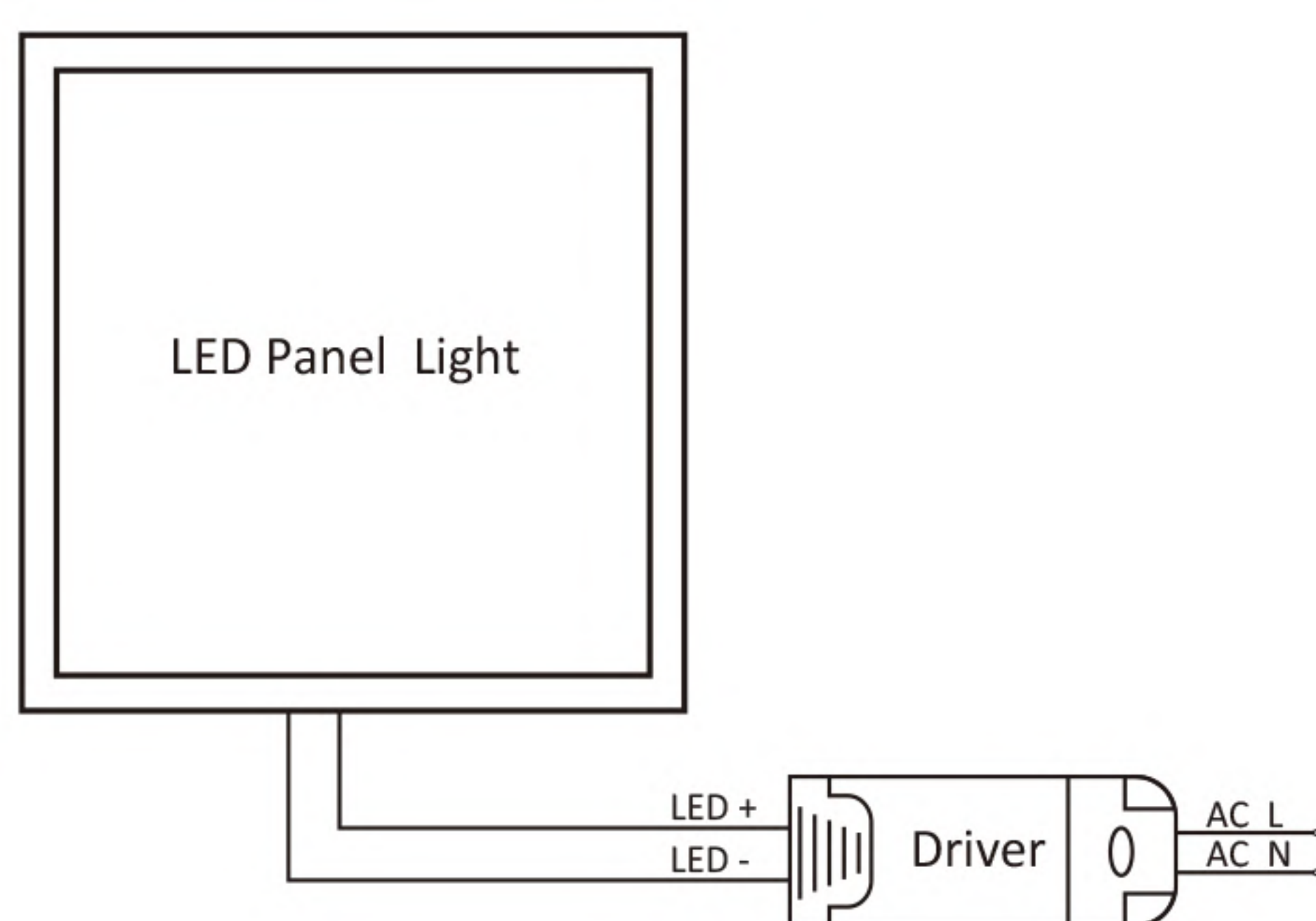
Operating Temperature	-20°C ~ 50 °C
Storage Temperature	-20°C ~ 60 °C
Operating Humidity	90% Rh or below(@-20°C~40°C)
Application Area	Indoors
Lifespan	50,000 Hrs



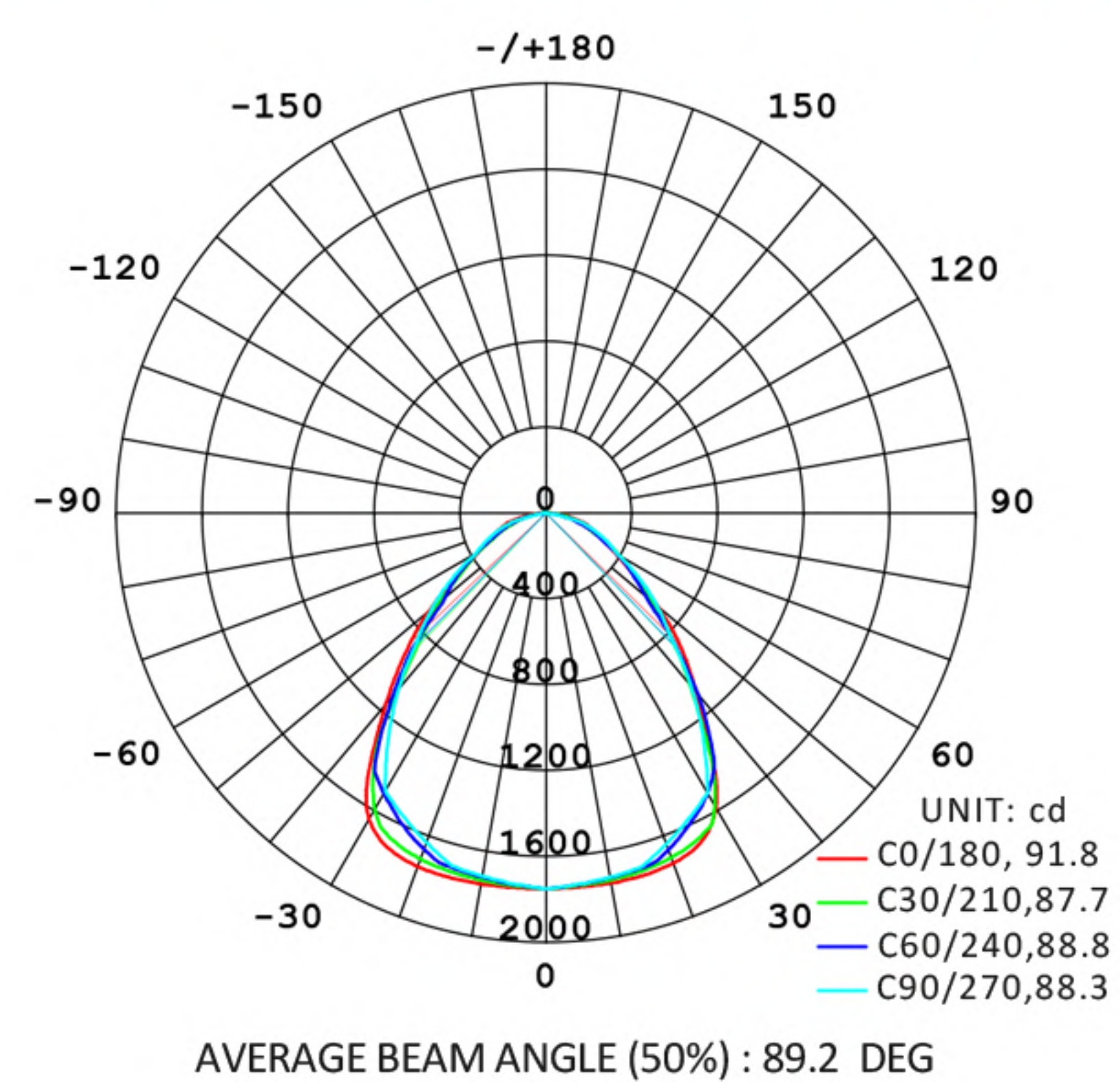
## Light source

LED Type	2835
Color Accuracy(CRI)	80
Color Temperature	3000K/4000K/5000K/5700K

## Electrical Connection Diagram

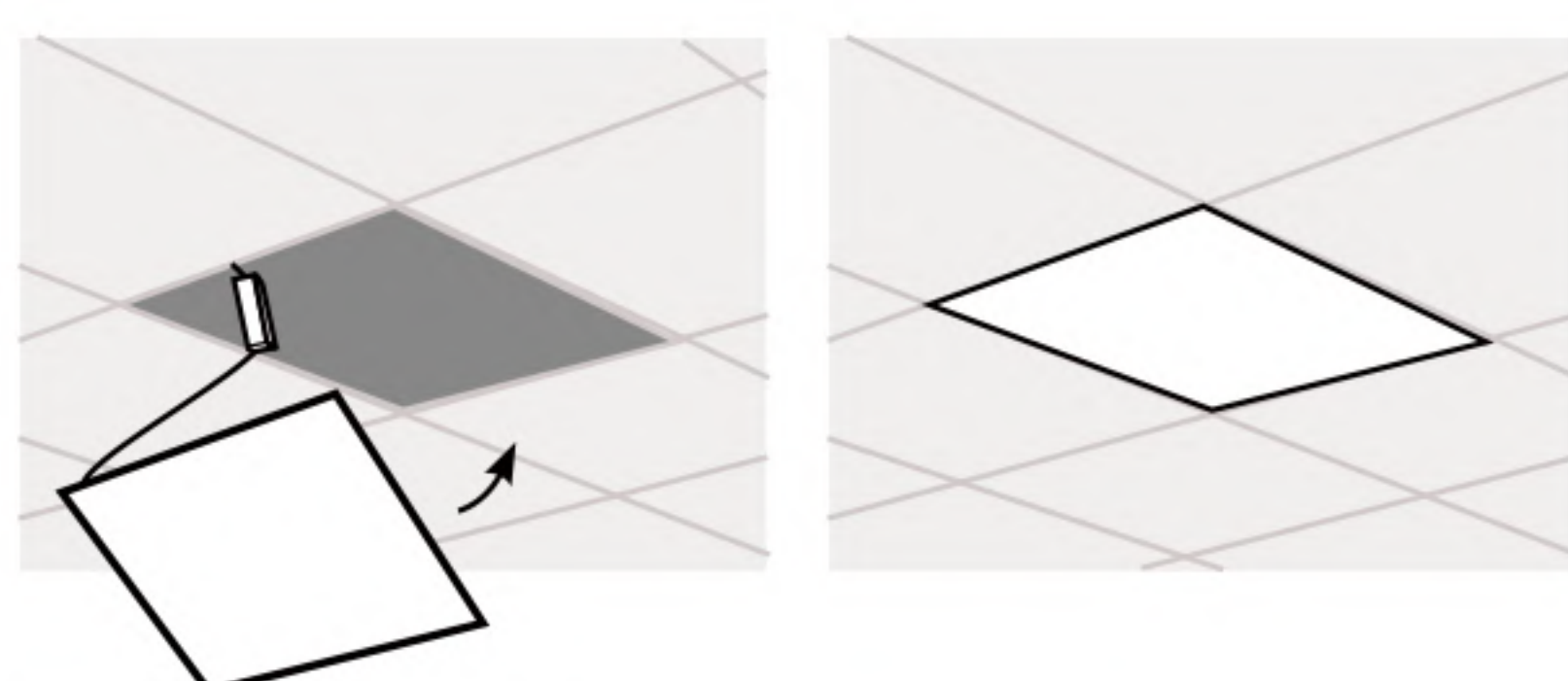


## Luminous Distribution Diagram



## Installation

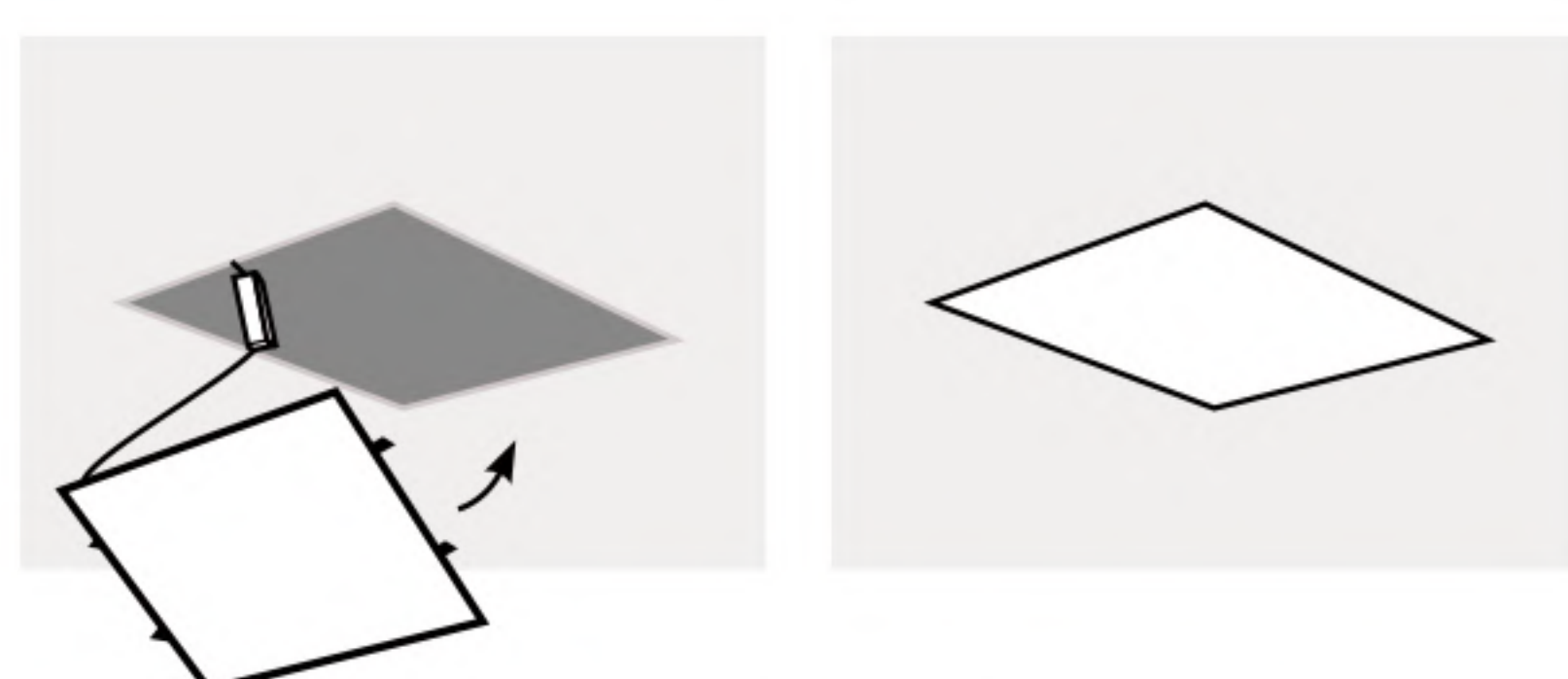
### Embedded installation



1. Remove the ceiling and Connect the power;
2. Inclined panel lamp inserts hole position and aligns.

### Spring mounting

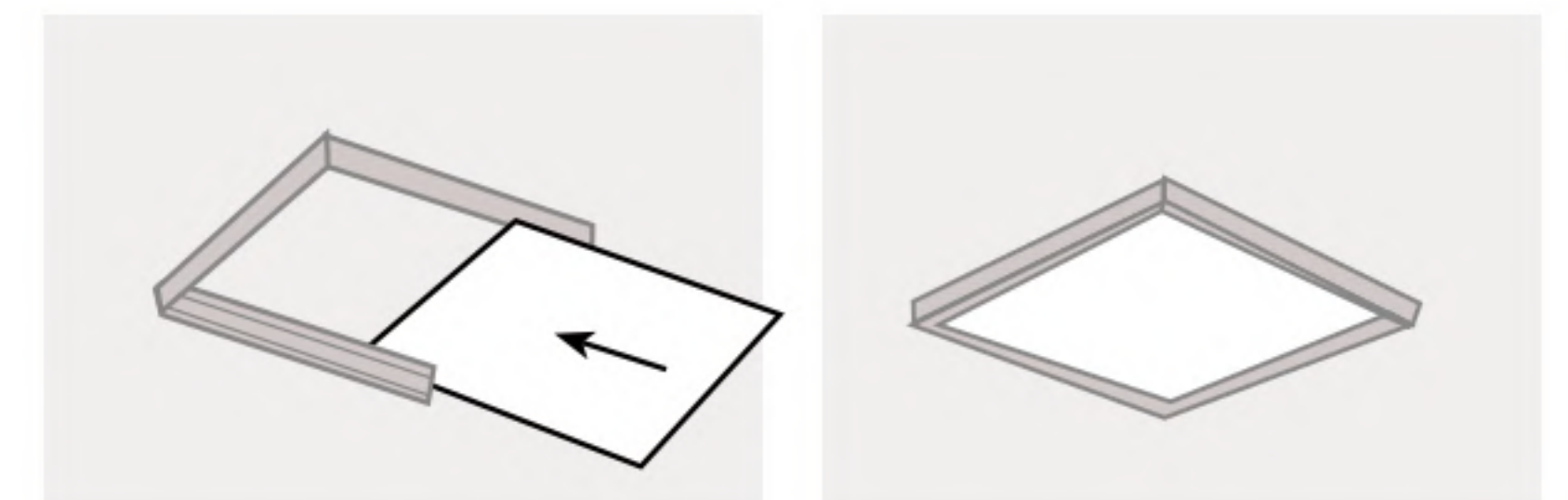
Cutout(mm): L595\*W595  
requires panel plaster recessed kit.



1. Remove the ceiling and Connect the power;
2. Lever back spring-clips on one side and place panel up against edge;
3. Push other side up, holding clips back and snap into place.

### Ceiling surface mounted

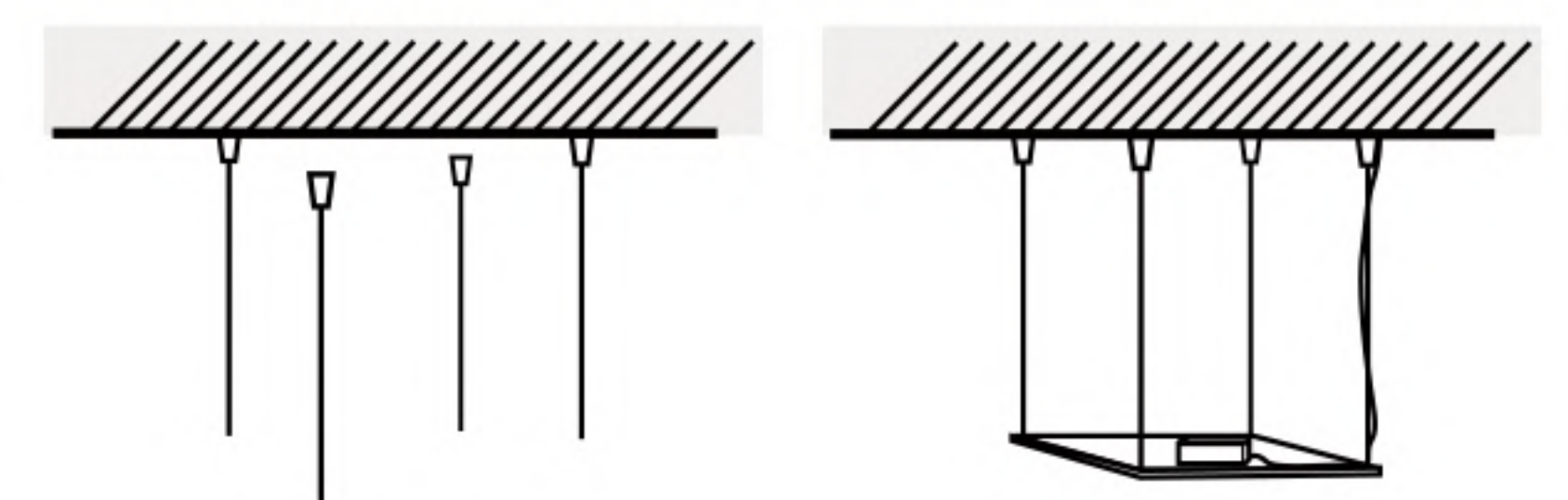
requires panel Surface mounted kit.



1. Assemble the frame and screw onto the ceiling, remove one side after;
2. Install panel lamp and Connect the power, And reassemble the other side.

### Suspended type

requires panel suspension kit.



1. Drilling holes in the ceiling and locking the suspension rope ;
2. Attach other end to panel and Connect the power ;
3. Using a Spirit Level, adjust cable length to suit desired height, cut excess cable.

## Packing List

Item No	Outer Carton (L*W*H)	Q'ty/CTN	G.W/CTN	QTY / 20GP	Volume/Carton(m 3)
GLM-SPL6060-27W/32W	700*235*710mm	5PCS	22.45kg	1200PCS	0.1168
GLM-SPL6262-27W/32W	700*235*710mm	5PCS	23.9kg	1200PCS	0.1168
GLM-SPL12030-27W/32W	1300*400*235mm	5PCS	22.05kg	1200PCS	0.1222

