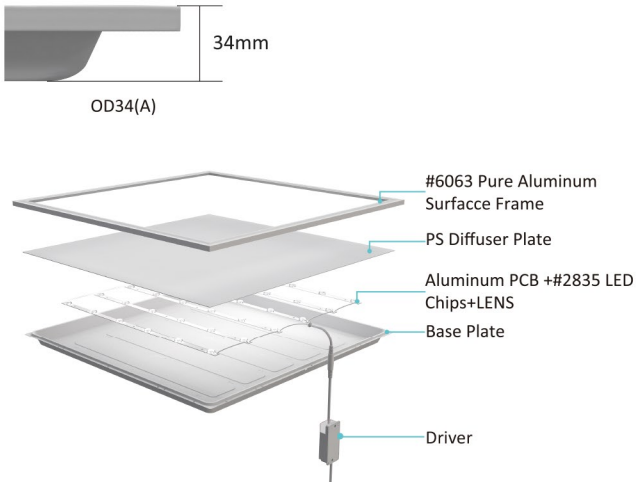




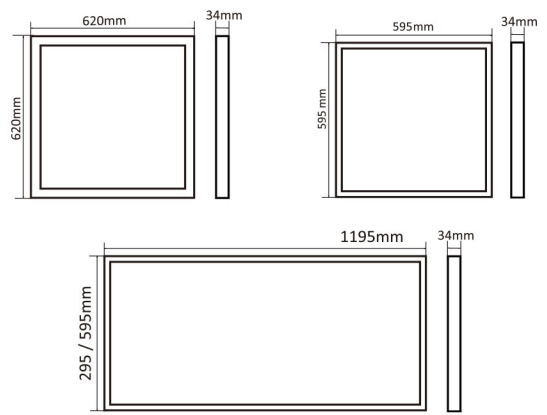
Application

- Hotel
- Commercial Purpose
- Meeting Room
- School
- Other lighting location
- Factory & Office
- Hospital
- Residential & Institution

Instruction



Dimensions



Application



Photoelectric

Model Number:	Power	Dimension	Input	Luminous Efficiency	Lumens Output	Ra	LED	Beam Angle
GLM-BPL6060A-27W	27W	595*595*34mm	200-240V	150LM/W	4000LM	80	2835	90°/120°
GLM-BPL6262A-27W	27W	620*620*34mm	200-240V	150LM/W	4000LM	80	2835	90°/120°
GLM-BPL12030A-27W	27W	1195*295*34mm	200-240V	140LM/W	3800LM	80	2835	90°/120°
GLM-BPL12060A-40W	40W	1195*595*34mm	200-240V	150LM/W	6000LM	80	2835	90°/120°

*Specifications using 5700K and subject to change. All parameters +/- 10%.
*The total lumen for UGR products will be lower 8% than normal products.
*Available 3W on a per project basis.

www.gleamia.net

Gleamia Back-Lit Panel 150LM/W

Electrical Driver

Input	AC200-240V
Frequency	50Hz
Output Voltage	DC30-42V
Relevant	EN55015 EN550221 IEC61347-1
Power Factor	>0.9
THD	<20%
Power Efficiency	>88%
Power Brand	Philips
Protection	Surge Short Circuit Over Voltage Over Current Over Temp.
MTBF	Minimum MTBF 50,000 hours at 100% load & 40°C

Environment

Operating Temperature	-20°C ~ 50 °C
Storage Temperature	-20°C ~ 60 °C
Operating Humidity	90% Rh or below(@-20°C~40°C)
Application Area	Indoors
Lifespan	50,000 Hrs



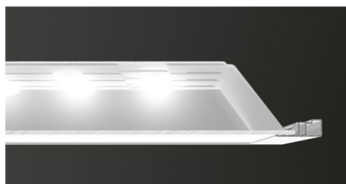
Light source

LED Type	2835
Color Accuracy(CRI)	80
Color Temperature	3000K/4000K/5000K/5700K

Product Description

SanAn Chips and Lens

sanan chips use pure gold wire and pure copper bracket, with more stable heat dissipation. The uniform light distribution makes the LED with larger heat dissipation area, and lifespan is up to 7 years. The lens is made form acrylic material, which makes the light more uniform and soft.

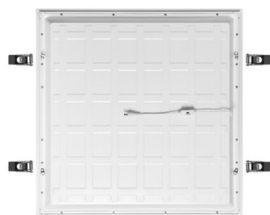


Back board

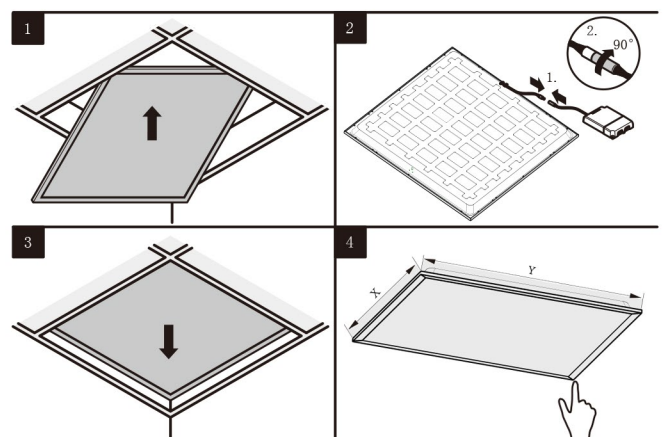
The back board is made of steel, which will absorb a large portion of heat created by the leds, film laminated surface helps it to be insulated from current, safe for use. Lay in and Recessed way for your option.

Isolated Driver

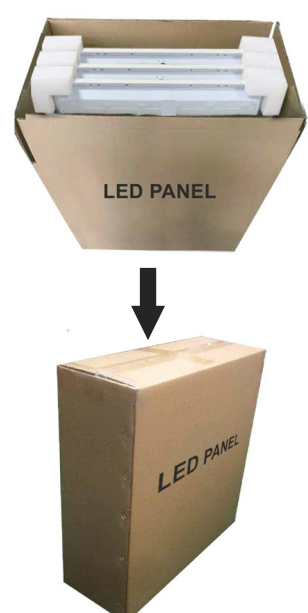
Philips Flicker Free, high efficiency, PF>0.9, THD<20%, 5 years warranty.



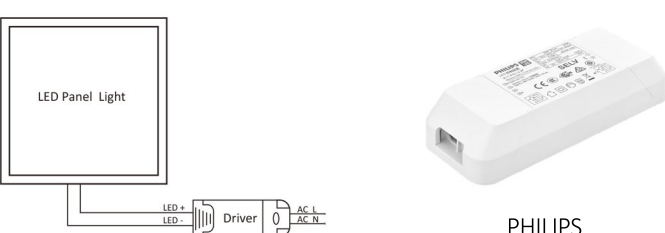
Installation



Package



Electrical Connection Diagram



Packing List

Item No	Outer Carton (L*W*H)	Q'ty/CTN	G.W/CTN	QTY / 40GP
GLM-BPL6060A-27W	660*260*670mm	6PCS	12.7kg	3500PCS
GLM-BPL6262A-27W	680*260*690mm	6PCS	13.6kg	3500PCS
GLM-BPL12030A-27W	1260*260*370mm	6PCS	13.1kg	3400PCS
GLM-BPL12060A-40W	1260*260*670mm	6PCS	26.4kg	1800PCS